



RCYA6

6" LED ARCHITECTURAL CYLINDER

JOB INFORMATION

Type: _____
 Catalog No: _____
 Project Name: _____
 Comments: _____
 Prepared by: _____

RCYA6

USE OF PRODUCT

The RCYA Series may be used in hospitality, commercial, retail, and residential interior applications. This series is available in two sizes (RCYA6 & RCYA3) and is wattage selectable, color temperature selectable, and beam angle selectable. Optional filters available upon request. Multiple mounting options: Surface mount, adjustable surface mount, cord mount, pendant mount.

RCYA3 FEATURES

- Wattage selectable: 20W, 30W, 40W
- Color temperature selectable: 2700K, 3000K, 3500K, 4000K, 5000K
- Beam angle selectable: 18° to 50°
- Knife edge appearance
- Made to order finish available upon request

HOUSING

Rugged aluminum housing to effectively and passively remove heat from LED.

LED ENGINE

Color temperature selectable 90 CRI

DRIVER

- 0-10V (120V-277V) dimming driver with range of 1% - 100%.
- Driver power factor >0.9, THD <20%
- Operating Temperature Range: -20°C - 40°C (-4°F-104°F)

EMERGENCY BATTERY

May utilize an 8W remote emergency battery (ceiling access required) with a remote test switch. Alternatively, may utilize a 4W integral emergency battery with an integral test switch.

BEAM ANGLE & FILTERS

Beam angle is continuously adjustable from 18° to 50° degrees with preset stops at 18°, 24°, 36°, and 50°. Optional linear lens, honeycomb louver, and soft optics available upon request. (Lumens decrease)

MOUNTING

Surface mount, adjustable surface mount (for wall or ceiling), cord mount, and pendant mount.

LABELS/COMPLIANCE/WARRANTY

- UL certified
- 5-year limited warranty.

ORDERING INFORMATION



Series	Wattage	Voltage	Color Temperature	Beam Angle	Filter
RCYA6	WS40 - Wattage Selectable (20W, 30W, 40W) L20W - Locked at 20W L30W - Locked at 30W L40W - Locked at 40W	UNV - 120-277V	5CTS - (2700K, 3000K, 3500K, 4000K, 5000K) L27K - Locked at 2700K L30K - Locked at 3000K L35K - Locked at 3500K L40K - Locked at 4000K L50K - Locked at 5000K	BA1850 - 18° - 50° Adjustable	None - Included L - Linear H - Honey Comb S - Softening Lens

Reflector Finish	Cylinder Finish	Mounting	Options
W - White B - Black MTO - Made to Order	W - White B - Black MTO - Made to Order	<p>Stem</p> <p>PH6SC1W¹ - 1 ft White Stem Pendant with Shallow Canopy PH6SC1B¹ - 1 ft Black Stem Pendant with Shallow Canopy PH6SC2W¹ - 2 ft White Stem Pendant with Shallow Canopy PH6SC2B¹ - 2 ft Black Stem Pendant with Shallow Canopy PH6DC1W¹ - 1 ft White Stem Pendant with Deep Canopy PH6DC1B¹ - 1 ft Black Stem Pendant with Deep Canopy PH6DC2W¹ - 2 ft White Stem Pendant with Deep Canopy PH6DC2B¹ - 2 ft Black Stem Pendant with Deep Canopy</p> <p>Cord</p> <p>CP6SW - White Cord Pendant with Shallow Canopy CP6SB - Black Cord Pendant with Shallow Canopy CP6DW - White Cord Pendant with Deep Canopy CP6DB - Black Cord Pendant with Deep Canopy</p> <p>Surface</p> <p>SM6SW - White Surface Mount with Shallow Canopy SM6SB - Black Surface Mount with Shallow Canopy SM6DW - White Surface Mount with Deep Canopy SM6DB - Black Surface Mount with Deep Canopy</p>	<p>SP1W¹ - 1 ft White Stem Pendant SP1B¹ - 1 ft Black Stem Pendant SP2W¹ - 2 ft White Stem Pendant SP2B¹ - 2 ft Black Stem Pendant ER8W - 8W Remote Emergency Battery with Remote Test Switch EI4W - 4W Integral Emergency Battery with Integral Test Switch</p> <p>Notes</p> <p>1. 1ft and 2ft stems are linkable up to 12 ft. Consult factory for made to order lengths.</p>



RCYA6

6" LED CYLINDER

PERFORMANCE CHART

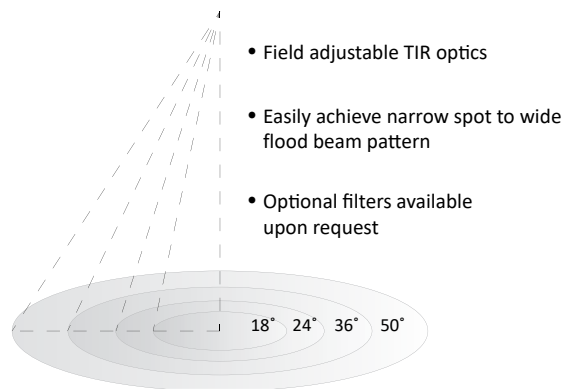
Optics	18°	24°	36°	50°
20W Delivered Lumens	1614	1874	1877	2161
30W Delivered Lumens	2268	2661	2665	3094
40W Delivered Lumens	2660	3228	3234	3815

* Values are listed at 3000K, 90+ CRI with a white bevel & trim.

COLOR TEMPERATURE MULTIPLIER FOR DELIVERED LUMENS

2700K	3000K	3500K	4000K
0.95	1.00	1.04	1.07

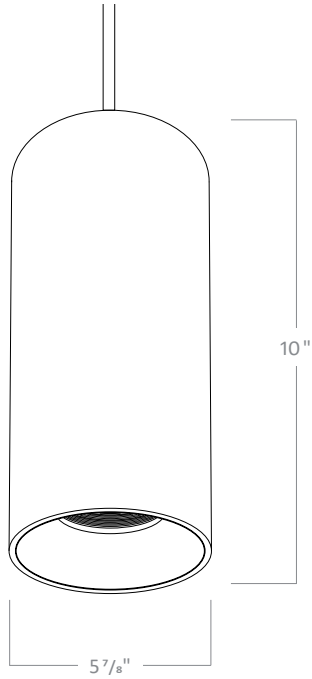
BEAM SPREAD



RCYA6

6" LED CYLINDER

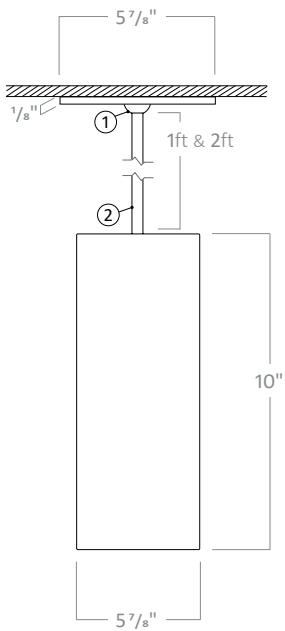
RCYA6 DIMENSIONS



STEM PENDANT

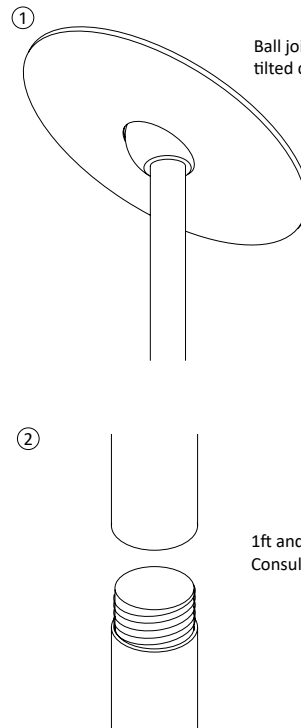
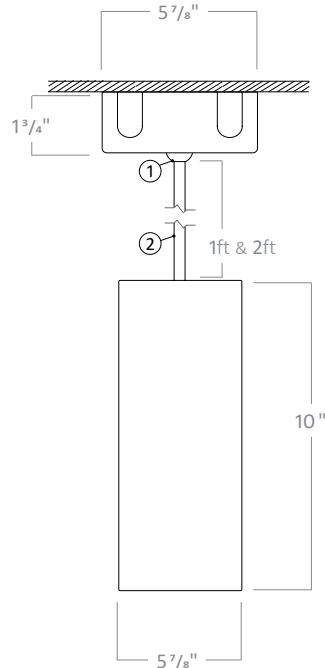
PH6SC1W, PH6SC1B,
PH6SC2W, PH6SC2B

Stem Pendant with
Shallow Canopy



PH6DC1W, PH6DC1B,
PH6DC2W, PH6DC2B

Stem Pendant with
Deep Canopy



Ball joint allows for installation on
tilted ceiling (0 - 60°)

1ft and 2ft stems are linkable up to 12 ft.
Consult factory for made to order lengths.

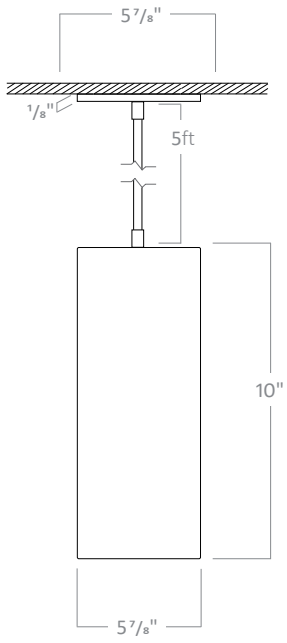
RCYA6

6" LED CYLINDER

CORD PENDANT

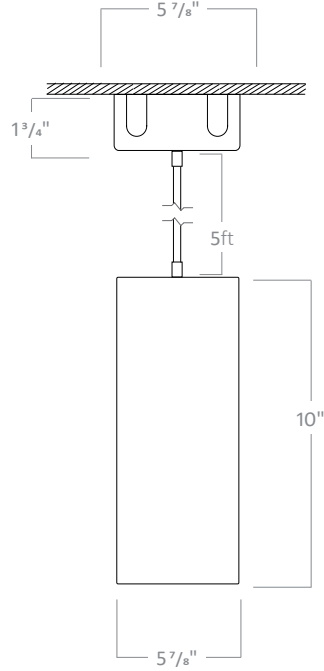
CP6SW, CP6SB

Cord Pendant with
Shallow Canopy



CP6DW, CP6DB

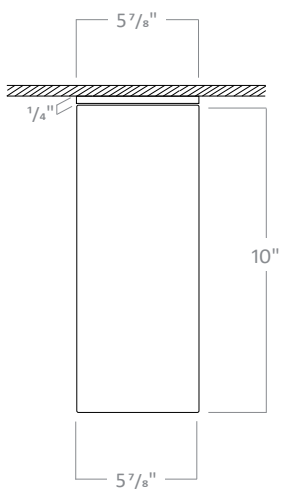
Cord Pendant with
Deep Canopy



SURFACE MOUNT

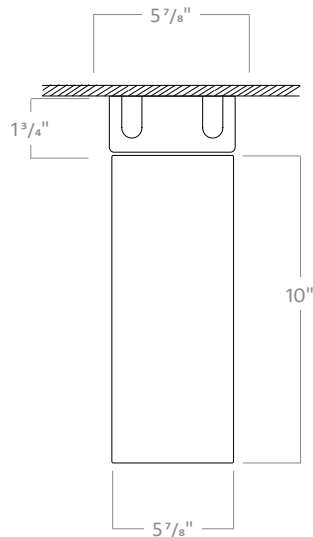
SM6SW, SM6SB

Surface Mount with
Shallow Canopy



SM6DW, SM6DB

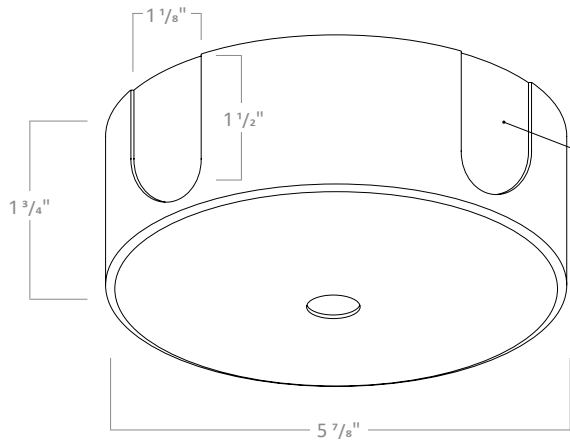
Surface Mount with
Deep Canopy



RCYA6

6" LED CYLINDER

DEEP CANOPY FOR SURFACE, CORD, OR PENDANT MOUNT



Deep Canopy options come standard with 4 Knockouts installed. Accommodates a 4" octagonal junction box with 1-1/2" depth (provided by others).

Knockouts may be run from 4 sides

Single Conduit Mount

Double 180° Conduit Mount

Double 90° Conduit Mount

Triple 90° Conduit Mount

Quad 90° Conduit Mount

